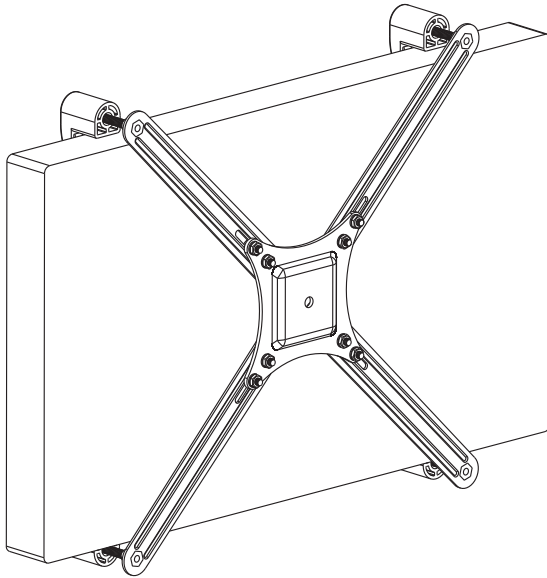


# Installation Instruction



## UNPACKING INSTRUCTIONS

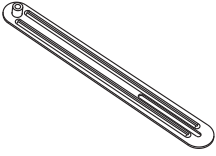
- Carefully open the carton, remove contents and lay out on cardboard or other protective surface to avoid damage.
- Check package contents against the Supplied Parts List in the next page to assure that all components were received undamaged. Do not use damaged or defective parts.
- Carefully read all instructions before attempting installation.

## IMPORTANT SAFETY INFORMATION

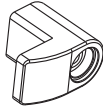
- Install and operate this device with care. Please read this instruction before installation, and carefully follow all instructions contained herein. Use proper safety equipment during installation.
- Please call a qualified installation contractor for help if you don't understand these directions or have any doubts about the safety of the installation.

Do not use this product for any purpose or in any configuration not explicitly specified in this instruction. We hereby disclaims any and all liability for injury or damage arising from incorrect assembly, incorrect mounting, or incorrect use of this product.

## Supplied Parts List



(4) Metal Bar-a



(4) "L" Support-b



(4) Plastic Cover-c



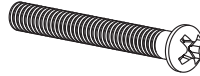
(8) M4x12 Bolt-d



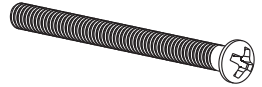
(8) M4 Nut-e



(8) M4 Washer-f



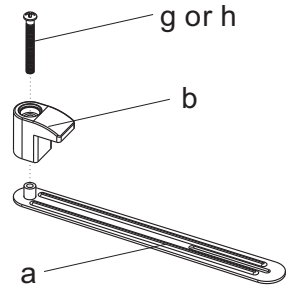
(4) M6x50 Bolt-g



(4) M6x75 Bolt-h

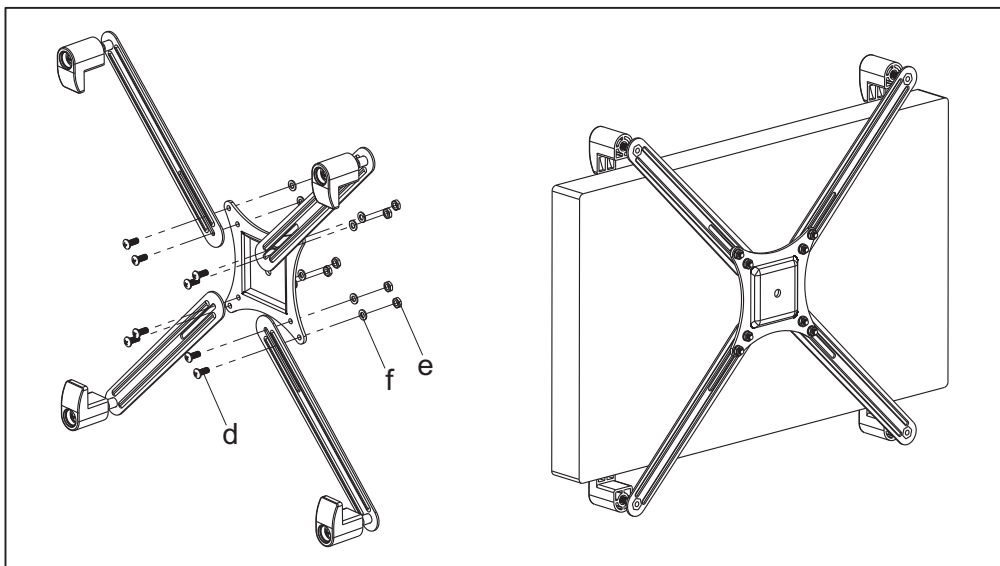
## Pre-Assembly

Use the Bolt(g) or Bolt(h) according to the thickness of your monitor. For your information, the Bolt(g) is good for the monitor with thickness 25-45mm, while Bolt(h) is good for the monitor with thickness 45-70mm.



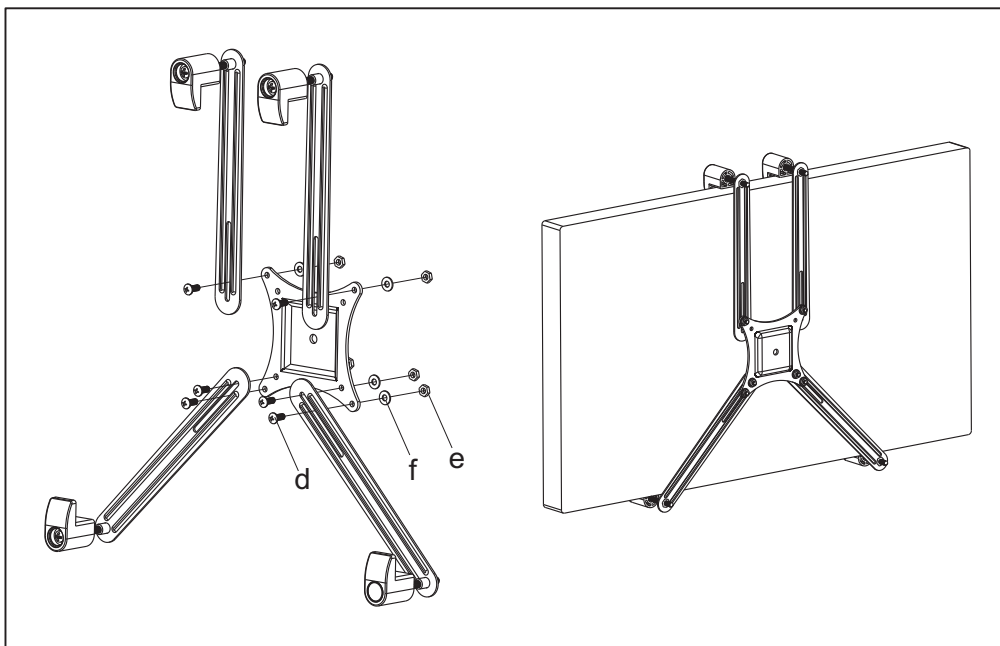
**Step 1A**

For the monitor with height between 294mm to 341mm



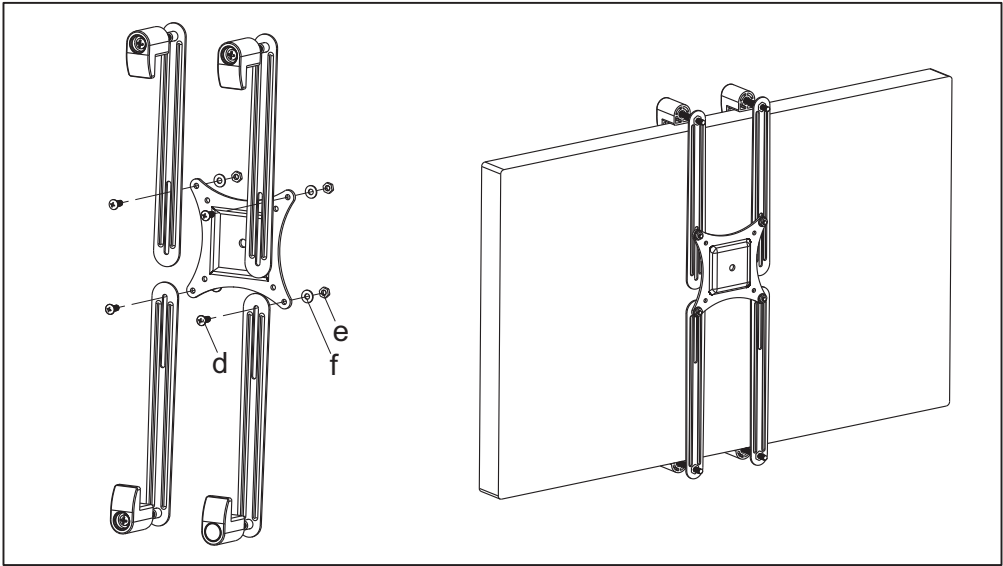
**Step 1B**

For the monitor with height between 341mm to 414mm



**Step 1C**

For the monitor with height between 414mm to 487mm



**Step 2**

Fasten the nuts and screws, add the plastic covers

